

NEW Update	Brand	Type	AP900C applicable starting from software version:	Note	Plug and Play	SVT files	CAN connection point	+15 (12V) connection points	Remark	Photo
	Alfa	147 2002>								
		159								2
		8C								3
		159								2
		Brera								3
		Gulietta								2
		GT								
		MITo	F17.10H		190-5002130		OBD-II / Diagnostic Link Connector Pin 6 (CAN High) & Pin 14 (CAN Low)			3
		Spider 2007>								3
	Audi									
		A1	F18.01i		190-5002230	SVT-090	In bundle in steering column: orange/black (CAN High, twisted with orange/brown (CAN Low)			
		A2								7
		A2 1.2TDI, 1.4TDI								7
		A3 (8P) manual 2009>	F17.10H		190-5002450		Wire bundle under clock-unit, orange/blue (CAN High) twisted with orange/brown (CAN Low)			10
		A3 (8P) automatic 2009>	F17.06D		190-5002450		Wire bundle under clock-unit, orange/blue (CAN High) twisted with orange/brown (CAN Low)			10
		A4 (8K) 2008>	F17.10H		190-5002450		In steering column orange/blue (CAN High), twisted with orange/brown (CAN Low)			
		A5								
		A6 2006>								10
		C6								
		Q7								7
		R8								
		TT								10
	BMW									
		1-series (E87) 2004-2011	F18.01i		190-5002470		Behind glove box in open taped bundle: blue/red (CAN High), twisted with red (CAN Low)			18
		1-series (F20) 2011>								
		X1 (E84) 2009>	F18.01i		190-5002470		Behind glove box in open taped bundle: blue/red (CAN High), twisted with red (CAN Low)			18
		3-series (E90N, E91N, E92N, E93N) 2008-2012	F18.01i		190-5002470		Behind glove box in open taped bundle: blue/red (CAN High), twisted with red (CAN Low)			18
NEW		5-series (E60-E61) 2003>	F18.01i		190-5002470		51-pin connector behind glove compartment, position 35 or 29, blue/red (CAN High) and position 34 or 30, red (CAN Low) or 52-pin connector behind glove compartment, position 32, blue/red (CAN High) and position 34, red (CAN Low)			18
		6-series (E63-E64) 2004>								18
		7-series (E65) 2001>								18
	Cadillac	BLS								3
	Chevrolet									
		Aveo	F18.02K		190-5002390	SVT-115	OBD-II / Diagnostic Link Connector Pin 6 (CAN High) & Pin 14 (CAN Low)			2
		Captiva 2012>	F18.02K		190-5002390	SVT-115	OBD-II / Diagnostic Link Connector Pin 6 (CAN High) & Pin 14 (CAN Low)			20
		Colorado automatic 2009-2011	F17.07E		190-5002480		OBD-II / Diagnostic Link Connector Pin 6 (CAN High) & Pin 14 (CAN Low)			
		Colorado manual gearbox 2009-2011		pre-program SVT-file	190-5002480	SVT 037a	OBD-II / Diagnostic Link Connector Pin 6 (CAN High) & Pin 14 (CAN Low)			24
		Colorado automatic 2012>		pre-program SVT-file	190-5002220	SVT 120a	OBD-II / Diagnostic Link Connector Pin 6 (CAN High) & Pin 14 (CAN Low)			11
		Colorado manual gearbox 2012>	F18.02K		190-5002220	SVT 120	OBD-II / Diagnostic Link Connector Pin 6 (CAN High) & Pin 14 (CAN Low)			11
		Cruze LT 2009>	F17.06B		190-5002130		OBD-II / Diagnostic Link Connector Pin 6 (CAN High) & Pin 14 (CAN Low)	5-pole connector behind ignition lock, purple/black		3
		Orlando (manual gearbox)	F17.06B		190-5002130		OBD-II / Diagnostic Link Connector Pin 6 (CAN High) & Pin 14 (CAN Low)	5-pole connector behind ignition lock, purple/black		3
		Spark 2009>								
	Chrysler									
		PT Cruiser								19
		Sabring								6
		Voyager CRD 2006 - 2007								24
		Grand Voyager 2008>								25
	Citroen									
		Berlingo 2006-2008								8
		Berlingo 2009>	F17.04T		190-500041A/B	SVT-016	OBD-II / Diagnostic Link Connector Pin 6 (CAN High) & Pin 14 (CAN Low)			16
		C1								16
		C1 Petrol								11
		C2 2006>								16
		C3 2006-2008								16
		C3 2009>	F17.06D		190-500041A/B		OBD-II / Diagnostic Link Connector Pin 6 (CAN High) & Pin 14 (CAN Low)			16
		C4 <2008								1
		C4 Picasso <2008								16
		C4 2009>	F17.06D		190-500041A/B		OBD-II / Diagnostic Link Connector Pin 6 (CAN High) & Pin 14 (CAN Low)			1
		C4 Picasso 2009>	F17.06D		190-500041A/B		OBD-II / Diagnostic Link Connector Pin 6 (CAN High) & Pin 14 (CAN Low)			16
		C5 2005-2007								
		C5 2008>								16
		C8								8
		C-Crosser	F17.09G		190-5002360		OBD-II / Diagnostic Link Connector Pin 6 (CAN High) & Pin 14 (CAN Low)	Ignition lock 6-pin WHT connector pin 2		6
		C-zero	F18.01i		190-5002360		OBD-II / Diagnostic Link Connector Pin 6 (CAN High) & Pin 14 (CAN Low)			6
		Jumper / Relay Multijet 2006-2010	F17.10E	EURO-4	190-5002110		Use LITE-ON OBD-II plug (LTK.0000130) or Blue 36-pole connector on rear side of body computer, green part, position 6: brown/black or black/pink (CAN High) & position 5 orange or white/pink (CAN Low).	Ignition lock ORG/BLK		2
		Jumper / Relay type 250 2.3 Multijet 2010>	F17.10H	EURO-5	190-5002130	SVT-077	Use LITE-ON OBD-II plug (LTK.0000130) or OBD-II / Diagnostic Link Connector Pin 6 (CAN High) & Pin 14 (CAN Low)	Ignition lock ORG/BLK	Mount LITE-ON Clutch Switch	3
NEW		Jumpy / Dispatch 2009>	F18.03K		190-500041B	SVT-119	OBD-II / Diagnostic Link Connector Pin 6 (CAN High) & Pin 14 (CAN Low)			26
		Nemo 2006>	F17.09G		190-5002110		OBD-II / Diagnostic Link Connector Pin 6 (CAN High) & Pin 14 (CAN Low)		Mount purple wire to Original Clutch Switch	2
		Picasso 2006>								16
	Dacia									
		Duster								
		Logan								7
NEW		Logdy	F18.03K		190-5002180	SVT-121	OBD-II / Diagnostic Link Connector Pin 6 (CAN High) & Pin 14 (CAN Low)			12
		Sandero								7
	Dodge									
		Avenger								6
		Caliber								6
		Journey								6
		Nitro								25
		Ram Van CRD 2006-2007								24
	Fiat									
		500 manual	F17.06B		190-5002380	SVT17 (rev.2)	OBD-II / Diagnostic Link Connector Pin 6 (CAN High) & Pin 14 (CAN Low)	Ignition lock 4-pin connector, pin-2 BLU wire		20
		500 duo-logic	F18.01i		190-5002380	SVT105	OBD-II / Diagnostic Link Connector Pin 6 (CAN High) & Pin 14 (CAN Low)	Ignition lock 4-pin connector, pin-2 BLU wire		20
		Bravo								2
		Croma 2005>								3
		Doblo II 2009>	F17.09G		190-5002130		OBD-II / Diagnostic Link Connector Pin 6 (CAN High) & Pin 14 (CAN Low)	Ignition lock, BLU wire		3
		Ducato 2006-2011 Multijet 120, 130, 160	F17.07E	EURO-4	190-5002110		Use LITE-ON OBD-II plug (LTK.0000130) or Blue 36-pole connector on rear side of body computer, green part, position 6: brown/black or black/pink (CAN High) & position 5 orange or white/pink (CAN Low).		Mount LITE-ON Clutch Switch	2
		Ducato 2011> Multijet 115, 130, 150, 180	F17.10H	EURO-5	190-5002130	SVT-077	Use LITE-ON OBD-II plug (LTK.0000130) or OBD-II / Diagnostic Link Connector Pin 6 (CAN High) & Pin 14 (CAN Low)	Ignition lock, ORG/BLK wire		3

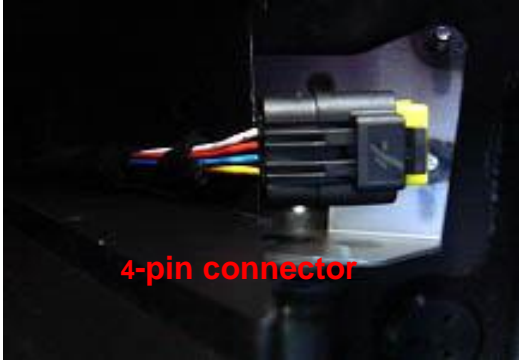
NEW	Brand	Type	AP900C applicable starting from software version:	Note	Plug and Play	SVT files	CAN connection point	+15 (12V) connection points	Remark	Photo
		Sonata 2.4								4
		Veloster	F17.05C		190-5002460		ODB-II / Diagnostic Link Connector Pin 6 (CAN High) & Pin 14 (CAN Low)		Mount purple wire to Original Clutch Switch	4
	Iveco	Turbo Daily 2006-2011								2
	Isuzu	D-max / Rodeo automatic 2009-2011	F17.07E		190-5002480	SVT 037	ODB-II / Diagnostic Link Connector Pin 6 (CAN High) & Pin 14 (CAN Low)			24
		D-max / Rodeo manual gearbox 2009-2011		pre-program SVT-file	190-5002480	SVT 037a	ODB-II / Diagnostic Link Connector Pin 6 (CAN High) & Pin 14 (CAN Low)			24
NEW		D-max / Rodeo automatic 2012>		pre-program SVT-file	190-5002220	SVT 120a	ODB-II / Diagnostic Link Connector Pin 6 (CAN High) & Pin 14 (CAN Low)			11
NEW		D-max / Rodeo manual gearbox 2012>	F18.02K		190-5002220	SVT 120	ODB-II / Diagnostic Link Connector Pin 6 (CAN High) & Pin 14 (CAN Low)			11
	Jaguar									
	Jeep	Cherokee 2.8 CRD								25
		Cherokee 2008>								6
		Compass								6
		Patriot								6
		Wrangler 2008>								25
	Kia	Carens 2011>								6
		Cee'd 2006-2009 manual transmission	F17.05C		190-5002110		ODB-II / Diagnostic Link Connector Pin 6 (CAN High) & Pin 14 (CAN Low)		CAN-bus connection for Diesel only	2
		Cee'd 2010>	F17.10H		190-5002110	SVT-019	ODB-II / Diagnostic Link Connector Pin 6 (CAN High) & Pin 14 (CAN Low)			2
		Picanto 1.2 63KW automatic 2011>	F18.01i		190-5002400		ODB-II / Diagnostic Link Connector Pin 6 (CAN High) & Pin 14 (CAN Low)			2
		Picanto 1.2 63KW manual 2011>								2
		Rio 1.2 63KW manual 2011>	F18.01i		190-5002460		ODB-II / Diagnostic Link Connector Pin 6 (CAN High) & Pin 14 (CAN Low)			4
		Rio 1.4 80KW automatic 2011>								
		Rio 1.4 80KW manual 2011>								
		Rio 1.1 CRDI 55KW manual								
		Rio 1.4 CRDI 66KW manual								
		Pro-cee'd								
		Soul								4
		Sorento 2009> manual transmission	F17.05C		190-5002460		ODB-II / Diagnostic Link Connector Pin 6 (CAN High) & Pin 14 (CAN Low)		Mount purple wire to Original Clutch Switch	3
		Sportage								2
	Lancia	Delta 2008>								2
		Lybra 1.9 JTD								2
		Musa								2
		Ypsilon 2006>								20
	Land Rover	Defender Td-4, Td-5								
		Discovery 2004>								
		Freelander (1997-2003)								
		Freelander Td-4 (2003-2006)								9
		Freelander 2 (2007>)								22
	Lexus	CS-350	F17.05B		190-5002210		ODB-II / Diagnostic Link Connector Pin 6 (CAN High) & Pin 14 (CAN Low)			13
		CT-200 2011	F17.10H		190-5002220		ODB-II / Diagnostic Link Connector Pin 6 (CAN High) & Pin 14 (CAN Low)			13
		CT-200 2012>	F17.10H		190-5002280		ODB-II / Diagnostic Link Connector Pin 6 (CAN High) & Pin 14 (CAN Low)			28
		IS-200								
	LDV	Maxus								7
	Mahindra	Scorpio (GOA)								2
	Mazda	2 petrol 2011>	F17.10H		190-5002220		ODB-II / Diagnostic Link Connector Pin 6 (CAN High) & Pin 14 (CAN Low)			11
		2 Diesel 2011>	F18.01i		190-5002330		ODB-II / Diagnostic Link Connector Pin 6 (CAN High) & Pin 14 (CAN Low)			22
		3 MY 2013								22
		5 CITD 2005>								13
		5 Petrol 2008>					ODB-II / Diagnostic Link Connector Pin 6 (CAN High) & Pin 14 (CAN Low)			22
		6 2008>					ODB-II / Diagnostic Link Connector Pin 6 (CAN High) & Pin 14 (CAN Low)			25
		B2500								23
		BT-50 2.5TDI & 3.0 CRDI								23
		CX-5	F18.02K		190-5002530	SVT-114	ODB-II / Diagnostic Link Connector Pin 6 (CAN High) & Pin 14 (CAN Low)			11
		CX-7								11
		MPV								23
		MXS 2006>								13
		RX8								13
	Mercedes	A Class								18
		B Class								18
		C-Class (204) 2007-2011	F17.10H		190-5002440	SVT-083	Underneath dashboard on left-hand side in wire harness along front A-pillar, green/white (CAN High), twisted with green (CAN Low)			21
		G-Class								
		Sprinter 2006>	F17.05B		190-5002440	SVT-025	Under steering column twisted pair green/white (CAN High), green (CAN Low)			21
		Vaneo								18
		Viano								21
		Vito 2010>	F17.05B		190-5002440	SVT-025				21
	Mini	Mini 2001>								18
		Mini One								
	Mitsubishi	ASX	F17.09G		190-5002360	SVT-048	A-pillar driver side behind cap: 24-pole connector, Pin 17 blue (CAN High) & Pin 18 purple (CAN Low) or Under hoodrelease-lever: blue 22-pin connector , P 17, blue (CAN High) and Pin 18, pink (CAN Low)			4
		Canter 2010>		EURO-5						
		Carisma DI-D 2001>								
		Colt (2009>)								3
		Grandis 2.0 DI-D								13
		Grandis 2.4 MPI								13
		Grunder	F17.04T		-		ODB-II / Diagnostic Link Connector Pin 6 (CAN High) & Pin 14 (CAN Low)			
		Lancer 2008>	F17.09G		190-5002360	SVT-049	A-pillar driver side behind cap: 24-pole connector, Pin 17 blue (CAN High) & Pin 18 purple (CAN Low)		Mount purple wire to Original Clutch Switch	4
		L200 Model 2006								13
		iMiev	F18.01i		190-5002360	SVT-098	ODB-II / Diagnostic Link Connector Pin 6 (CAN High) & Pin 14 (CAN Low)			4
		Outlander 2007>	F17.09G		190-5002360	SVT-048	A-pillar driver side behind cap: 24-pole connector, Pin 17 blue (CAN High) & Pin 18 purple (CAN Low)			4
		Pajero <2006								
		Pajero 2006>								13
		Shogun 2006>								13
		Space Star								
	Nissan	Cabstar F24 2007>								12
		Cube								12
NEW		Evilla Cdi	F17.10H	use AP900 for petrol versions	190-5002180	SVT064	ODB-II / Diagnostic Link Connector Pin 6 (CAN High) & Pin 14 (CAN Low)			12
		GTR								
		Interstar 2006-2010	F17.05B		190-5002140	SVT015	ODB-II / Diagnostic Link Connector Pin 6 (CAN High) & Pin 14 (CAN Low)			7
		Interstar 2010>	F17.09G		190-5002180	SVT070	ODB-II / Diagnostic Link Connector Pin 6 (CAN High) & Pin 14 (CAN Low)			12

NEW	Brand	Type	AP900C applicable starting from software version:	Note	Plug and Play	SVT files	CAN connection point	+15 (12V) connection points	Remark	Photo
		Juke								
		Kubistar dCi 2008>	F17.04T		190-5002180		ODB-II / Diagnostic Link Connector Pin 6 (CAN High) & Pin 14 (CAN Low)			12
		Micra 2011>	F17.10H		190-5002180		ODB-II / Diagnostic Link Connector Pin 6 (CAN High) & Pin 14 (CAN Low)			12
		Murano								
		Navara (King Cab)								5
		Note								12
		NP300								
		NV200 Cd	F17.10H	use AP900 for petrol versions	190-5002180	SVT064	ODB-II / Diagnostic Link Connector Pin 6 (CAN High) & Pin 14 (CAN Low)			12
		NV400 2011>	F17.09G		190-5002180	SVT099	ODB-II / Diagnostic Link Connector Pin 6 (CAN High) & Pin 14 (CAN Low)	12V (+15) DLC position 1, yellow		12
		Pathfinder								
		Pixo	F17.05C		190-5002210		ODB-II / Diagnostic Link Connector Pin 6 (CAN High) & Pin 14 (CAN Low)			5
		Primastar 2006-2010	F17.05B		190-5002140	SVT015	ODB-II / Diagnostic Link Connector Pin 6 (CAN High) & Pin 14 (CAN Low)		Mount purple wire to Original Clutch Switch	13
		Primastar 2010>	F17.09G		190-5002140	SVT059	ODB-II / Diagnostic Link Connector Pin 6 (CAN High) & Pin 14 (CAN Low)			7
		Qashqai 2007>								12
		Teana	F17.06D		190-5002180		ODB-II / Diagnostic Link Connector Pin 6 (CAN High) & Pin 14 (CAN Low)			12
		Taida	F17.04T		190-5002180		ODB-II / Diagnostic Link Connector Pin 6 (CAN High) & Pin 14 (CAN Low)			12
		350Z								5
		Opel								
		Agila 2008>	F17.06D		190-5002210		ODB-II / Diagnostic Link Connector Pin 6 (CAN High) & Pin 14 (CAN Low)		Mount purple wire to Original Clutch Switch	13
		Antara								20
		Astra H (2004-2009)								3
		Astra J (2009>)	F17.05B		190-5002130		ODB-II / Diagnostic Link Connector Pin 6 (CAN High) & Pin 14 (CAN Low)		ODB-II located in midconsole below gear-handle	3
NEW		Combo Tour 2012>	F17.09G		190-5002110		ODB-II / Diagnostic Link Connector Pin 6 (CAN High) & Pin 14 (CAN Low)			2
		Combi Tour								3
		Corsa 2011>	F17.06D		190-5002130		ODB-II / Diagnostic Link Connector Pin 6 (CAN High) & Pin 14 (CAN Low)		ODB-II located in midconsole below gear-handle	3
		Insignia	F17.06D		190-5002130	SVT30	ODB-II / Diagnostic Link Connector Pin 6 (CAN High) & Pin 14 (CAN Low)		ODB-II located in midconsole below gear-handle	3
		Meriva B (2010>)	F17.06D		190-5002390	SVT30	ODB-II / Diagnostic Link Connector Pin 6 (CAN High) & Pin 14 (CAN Low)		ODB-II located in midconsole below gear-handle	20
		Movano A <2010	F17.05B		190-5002140	SVT15	ODB-II / Diagnostic Link Connector Pin 6 (CAN High) & Pin 14 (CAN Low)			7
		Movano B 2010>	F17.09G		190-5002180	SVT59	ODB-II / Diagnostic Link Connector Pin 6 (CAN High) & Pin 14 (CAN Low)		12V (+15) DLC position 1, yellow	12
		Vauxhall Movano B 2012>	F17.09G		190-5002430	SVT59	ODB-II / Diagnostic Link Connector Pin 6 (CAN High) & Pin 14 (CAN Low)		12V (+15) DLC position 1, yellow	12
		Vivaro 2006-2010	F17.05B		190-5002140	SVT15	ODB-II / Diagnostic Link Connector Pin 6 (CAN High) & Pin 14 (CAN Low)			7
		Vivaro 2011>	F17.10H		190-5002140	SVT70	ODB-II / Diagnostic Link Connector Pin 6 (CAN High) & Pin 14 (CAN Low)			
		Zafira 2005>					ODB-II / Diagnostic Link Connector Pin 3 (CAN High) & Pin 11 (CAN Low)			3
		Peugeot								
		107 Petrol 2008>								11
		206								16
		207 2008>								
		308 2009>	F17.10H		190-500041B		ODB-II / Diagnostic Link Connector Pin 6 (CAN High) & Pin 14 (CAN Low)			
		3008	F17.10H		190-500041B		ODB-II / Diagnostic Link Connector Pin 6 (CAN High) & Pin 14 (CAN Low)			
		407 2008>								
		4007	F17.09G		190-5002360					6
		5008								
		507								
		807 2.0 2008>								16
		Bipper	F17.09G		190-5002110		ODB-II / Diagnostic Link Connector Pin 6 (CAN High) & Pin 14 (CAN Low)		Mount purple wire to Original Clutch Switch	2
		Boxer Multijet 2006-2010	F17.10E	EURO-4	190-5002110		Use LITE-ON OBD-II plug (LTK.0000130) or Blue 36-pole connector on rear side of body computer, green part, position 6: brown/black or black/pink (CAN High) & position 5 orange or white/pink (CAN Low).			2
		Boxer 250 2.3 Multijet 2010>	F17.10H	EURO-5	190-5002130	SVT-077	Use LITE-ON OBD-II plug (LTK.0000130) or OBD-II / Diagnostic Link Connector Pin 6 (CAN High) & Pin 14 (CAN Low)		Mount purple wire to AA170 or AA177 Clutch Switch	3
NEW		Expert 2009>	F18.03K		190-500041B	SVT-119	ODB-II / Diagnostic Link Connector Pin 6 (CAN High) & Pin 14 (CAN Low)			26
		iOn	F18.01I		190-5002360		ODB-II / Diagnostic Link Connector Pin 6 (CAN High) & Pin 14 (CAN Low)			6
		Partner 2009>								16
		Porsche								
		911/997 <2008								7
		911 2008>								
		966 MY2000								
		Boxster								
		Boxster S								
		Cayenne								7
		Renault								
		Clio III 05/2009>	F17.06D		190-5002180		ODB-II / Diagnostic Link Connector Pin 6 (CAN High) & Pin 14 (CAN Low)			12
		Espace								7
		Fluence								
		Kangoo								
		Kangoo DCI 2008>	F17.04T		190-5002180		ODB-II / Diagnostic Link Connector Pin 6 (CAN High) & Pin 14 (CAN Low)			7
		Kolko								12
		Laguna 2007>								12
		Master 2003-2010	F17.05B		190-5002140	SVT015	ODB-II / Diagnostic Link Connector Pin 6 (CAN High) & Pin 14 (CAN Low)			7
		Master 2010>	F17.09G		190-5002180	SVT059	ODB-II / Diagnostic Link Connector Pin 6 (CAN High) & Pin 14 (CAN Low)		12V (+15) DLC position 1, yellow	12
		Master 2012> (right hand drive)	F17.09G		190-5002430	SVT059	ODB-II / Diagnostic Link Connector Pin 6 (CAN High) & Pin 14 (CAN Low)		12V (+15) DLC position 1, yellow	12
		Maxity								
		Megane 2009>								12
		Modus / Grand Modus								12
		Schnic 2009>								
		Trafic DCI 2006-2010	F17.05B		190-5002140	SVT015	ODB-II / Diagnostic Link Connector Pin 6 (CAN High) & Pin 14 (CAN Low)			7
		Trafic DCI 2011>	F17.10H		190-5002140	SVT070	ODB-II / Diagnostic Link Connector Pin 6 (CAN High) & Pin 14 (CAN Low)			7
		Twingo 2007>	F17.06D		190-5002430		ODB-II / Diagnostic Link Connector Pin 6 (CAN High) & Pin 14 (CAN Low)			12
		Saab								
		9-3 2002>	F17.05C		190-5002130		ODB-II / Diagnostic Link Connector Pin 6 (CAN High) & Pin 14 (CAN Low)			3
		Saat								
		Alhambra								7
		Alhambra 1.9TDI								7
		Altea 2004>>								10
		Exeo								
		Ibiza 2008>								7
		Leon 2006>								10
NEW		Mii (AA)	F18.01J		190-5002450	SVT111	with position 29 orang/brown (CAN Low)			10
NEW		Skoda								
		Citigo	F18.01J		190-5002450	SVT111	with position 29 orang/brown (CAN Low)			10
		Fabia 2006>								7
		Octavia 2004>								10
		Roomster								7
		Roomster 1.4TDI, 1.9TDI								7
		Superb								10
		Yeti								
		Smart								
		ForFour								3
		ForTwo 2007>								21
		Roadster 2006>								
		Ssang Yong								
		Actyon A200 Xdi								2
		Actyon A230								2
		Kyron M200Xd								2
		Rexton 2006>								2
		Rexton 230								18

NEW	Brand	Type	AP900C applicable starting from software version:	Note	Plug and Play	SVT files	CAN connection point	+15 (12V) connection points	Remark	Photo
		Rexton 270								2
		Rodius 270								2
	Subaru	Forester 2.0								11
		Forester 2008>								11
		Impreza 1.5, 2.0 R								11
		Impreza 2.5 WRX								11
		Impreza (2007>)								11
		Legacy (Outback) 2003>								13
		Outback								13
		Trezia	F17.10H		190-5002280		ODB-II / Diagnostic Link Connector Pin 6 (CAN High) & Pin 14 (CAN Low)			28
		Tribecca								
		WRX STI								
		XV	F18.01J		190-5002220	SVT112	ODB-II / Diagnostic Link Connector Pin 6 (CAN High) & Pin 14 (CAN Low)			11
		XV CVT	F18.01J		190-5002220	SVT112a	ODB-II / Diagnostic Link Connector Pin 6 (CAN High) & Pin 14 (CAN Low)			11
	Suzuki	Alto 2009>								13
		Alto 1.0 Automatic 2009>	F17.04T		190-5002210		ODB-II / Diagnostic Link Connector Pin 6 (CAN High) & Pin 14 (CAN Low)		Mount AA170 or AA177 Clutch Switch	13
		Grand Vitara 2006>	F17.09G		190-5002210	SVT058	ODB-II / Diagnostic Link Connector Pin 6 (CAN High) & Pin 14 (CAN Low)		Mount AA170 or AA177 Clutch Switch	13
		Jimny								3
		Kizashi	F17.10H		190-5002210		ODB-II / Diagnostic Link Connector Pin 6 (CAN High) & Pin 14 (CAN Low)			13
		Splash	F17.06D		190-5002210		ODB-II / Diagnostic Link Connector Pin 6 (CAN High) & Pin 14 (CAN Low)		Mount purple wire to Original Clutch Switch	13
		Swift 2008-2010	F17.04T		190-5002210	SVT007	ODB-II / Diagnostic Link Connector Pin 6 (CAN High) & Pin 14 (CAN Low)			13
		Swift 2010- manual + automatic gearbox	F18.01J		190-5002210	SVT110	ODB-II / Diagnostic Link Connector Pin 6 (CAN High) & Pin 14 (CAN Low)		SX4 Automatic: connect main ground wire, disconnect green wire in T-harness. Else	13
		SX4 / Liana 2006>	F17.04T		190-5002210		ODB-II / Diagnostic Link Connector Pin 6 (CAN High) & Pin 14 (CAN Low)			13
	Toyota	Auris Petrol 2007>	F17.06D		190-5002220	SVT031	ODB-II / Diagnostic Link Connector Pin 6 (CAN High) & Pin 14 (CAN Low)		Mount purple wire to Original Clutch Switch.	11
		Auris Hybrid 2010>	F17.10H		190-5002220	SVT079	ODB-II / Diagnostic Link Connector Pin 6 (CAN High) & Pin 14 (CAN Low)			11
		Avenis 2009 > manual gearbox	F17.05B		190-5002220		ODB-II / Diagnostic Link Connector Pin 6 (CAN High) & Pin 14 (CAN Low)			11
		Aygo Petrol 2008>								11
		Camry petrol 2008>	F17.04T		190-5002120		ODB-II / Diagnostic Link Connector Pin 6 (CAN High) & Pin 14 (CAN Low)			11
		Corolla Sedan Petrol 2007>	F17.06D		190-5002220		ODB-II / Diagnostic Link Connector Pin 6 (CAN High) & Pin 14 (CAN Low)		Mount purple wire to Original Clutch Switch.	11
		Hi-ace								5
		IQ	F17.10H		190-5002220		ODB-II / Diagnostic Link Connector Pin 6 (CAN High) & Pin 14 (CAN Low)			11
		Hi-lux 2005>								13
		Land Cruiser 90								5
		Land Cruiser 100 2005>								13
		Land Cruiser 120 2003>								13
		Land Cruiser 150 Prado 2009> manual gearbox	F17.10H		190-5002220		ODB-II / Diagnostic Link Connector Pin 6 (CAN High) & Pin 14 (CAN Low)		Mount purple wire to Original Clutch Switch.	11
		Previa 2000>								5
		Prius 2005>								13
NEW		ProAce 2009>	F18.03K		190-500041B	SVT-119	ODB-II / Diagnostic Link Connector Pin 6 (CAN High) & Pin 14 (CAN Low)			26
		Raider								13
		RAV4 2006>	F17.10H		190-5002220		ODB-II / Diagnostic Link Connector Pin 6 (CAN High) & Pin 14 (CAN Low)		Mount purple wire to Original Clutch Switch.	11
		Sienna 2003>								11
		Urban Cruiser								5
		Verso 2009>	F17.05C	CAN connection, Automatic gearbox only	190-5002220	SVT022	ODB-II / Diagnostic Link Connector Pin 6 (CAN High) & Pin 14 (CAN Low)			29
		Verso-S	F17.10H		190-5002280	SVT078	ODB-II / Diagnostic Link Connector Pin 6 (CAN High) & Pin 14 (CAN Low)			11
		Yaris 2006-2011 manual gearbox	F17.04T	CAN connection only for 2008>	190-5002220	SVT012	ODB-II / Diagnostic Link Connector Pin 6 (CAN High) & Pin 14 (CAN Low)		Mount AA170 or AA177 Clutch Switch	28
		Yaris MY2012	F17.10H		190-5002280	SVT078	ODB-II / Diagnostic Link Connector Pin 6 (CAN High) & Pin 14 (CAN Low)		Mount purple wire to Original Clutch Switch.	28
	Volkswagen	Amarok	F18.01i		190-5002230	SVT090	In bundle in steering column: orange/black (CAN High, twisted with orange/brown (CAN Low)			7
		Beetle								10
		Caddy 2010>	F18.01i		190-5002450	SVT091	In bundle behind lights switch: orange/black (CAN High), twisted with orange/brown (CAN Low)			21
		Crafter 06> manual	F17.05B		190-5002440	SVT025	Under steering column twisted pair green/white (CAN High), green (CAN Low)			10
		EOS	F17.09G		190-5002450	SVT050	Wire bundle above throttle pedal (behind plastic tube): 20-Pole connector, pos. 16 orange/black (CAN High), pos. 6 orange/brown (CAN Low)		Mount purple wire to Original Clutch Switch.	10
		Fox								10
		Golf 6 automatic	F17.06D		190-5002450	SVT034	Wire bundle above throttle pedal (behind plastic tube): 20-Pole connector, pos. 16 orange/black (CAN High), pos. 6 orange/brown (CAN Low). Use the wires that provide 2.8V on CAN High and 2.2V on CAN Low. The other twisted pair orange/black & orange/brown can not be used!!!			10
		Golf 6 manual	F17.10H		190-5002450	SVT088	Wire bundle above throttle pedal (behind plastic tube): 20-Pole connector, pos. 16 orange/black (CAN High), pos. 6 orange/brown (CAN Low). Use the wires that provide 2.8V on CAN High and 2.2V on CAN Low. The other twisted pair orange/black & orange/brown can not be used!!!			10
		Jetta 4 (1K) manual	F18.01J		190-5002450	SVT088	Wire bundle above throttle pedal (behind plastic tube): 20-Pole connector, pos. 16 orange/black (CAN High), pos. 6 orange/brown (CAN Low). Use the wires that provide 2.8V on CAN High and 2.2V on CAN Low. The other twisted pair orange/black & orange/brown can not be used!!!			10
		Multivan 2009>	F17.10H		190-5002230		Right-side under steering column/dashboard in wire bundle: twisted pair, orange/black (CAN High), orange/brown (CAN Low)			7
		Passat 3C 2005-2010 manual gearbox	F17.04T	CAN connection for diesel only	190-5002450	SVT-010	Right-side under dashboard twisted pair, orange/black (CAN High), orange/browns (CAN Low)			10
		Passat 3C 2010- manual gearbox	F18.01J		190-5002450	SVT109	Under steering column twisted pair green/white (CAN High), green (CAN Low)			10
		Passat 3C 2010- DSG gearbox	F18.01J		190-5002450	SVT109	Under steering column twisted pair green/white (CAN High), green (CAN Low)			10
		Passat CC								
		Polo (6R) 2009-	F18.01i		190-5002230	SVT-106	Park Distance Control wiring harness at bottom left A-pillar, twisted pair orange/black (High) and orange brown (Low) or Clock unit 32-pole blue connector position 28 orange/black (CAN High) twisted with position 29 orange/brown (CAN Low).			10
		Scirocco 2008>								10
		Sharan								7
		Tiguan	F17.10H		190-5002450		Under steering column twisted pair green/white (CAN High), green (CAN Low)			10
		Touareg 2002>								7
		Touran 2006>								10
		Transporter 5 2009>	F17.10H		190-5002230	SVT062	Right-side under steering column/dashboard in wire bundle: twisted pair, orange/black (CAN High), orange/brown (CAN Low)			7
		Up! (AA)	F18.01J		190-5002450	SVT111	Clock unit, 32-pole blue connector, position 28 orange/black (CAN High) twisted with position 29 orange/brown (CAN Low)			10
	Volvo	C30	F17.04T		190-5002330		ODB-II / Diagnostic Link Connector Pin 6 (CAN High) & Pin 14 (CAN Low)	2008>		22
		S40								22
		V50								22
		C70								22
		V70 2007>								22
		XC70 2007>								22
		S80 2006>								22

Photo:

1



Peugeot - Citroen
W/H AP800 Part no:

190-5000090

Plug and Play available

2



Fiat
Hyundai
Iveco
Ssang Yong
Kia
UAZ

3



Nissan
Mitsubishi
Fiat
Suzuki

4



Kia
Hyundai

5



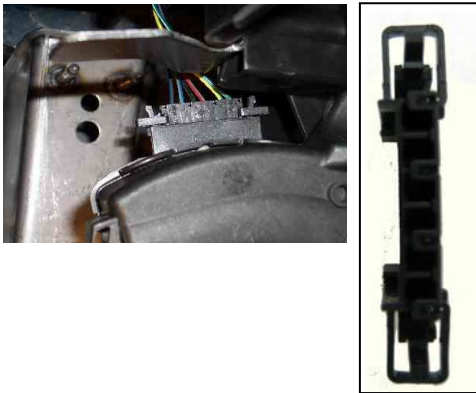
Toyota
Nissan

6



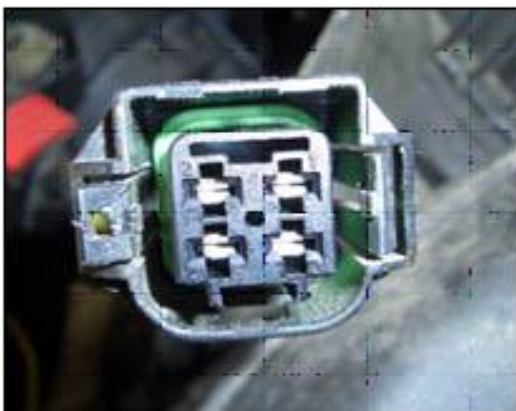
Hyundai Sonata 2.4
Chrysler Sebring
Dodge Avenger, Caliber
Mitsubishi Outlander, Lancer
Peugeot 4007
Citroen C-Crosser

7



Renault
Opel
Nissan
Peugeot
Citroen
VW
Audi

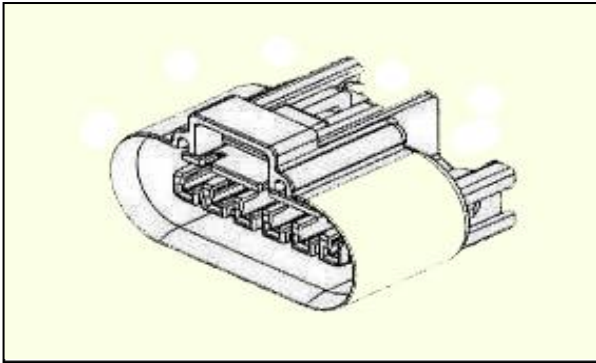
8



Peugeot Potentiometer under bonnet
Citroen Potentiometer under bonnet
Suzuki Potentiometer under bonnet

W/H AP800 Part no: 190-500050W

9



Ford Fiesta
Land Rover freelande
Mazda-2

10



VW Golf 5
VW Passat 2005>

11



New Toyota;
Aygo
Yaris
RAV4 2006>

Mazda:
2, 6, CX7

Subaru

12



Renault:
Modus
Mégane
Scenic

Nissan:
Cabstar

13



Mazda:
6
MX5 (2006)
RX8

Toyota
Raider (Hi-lux)

Mitsubishi
Grandis, L200, Pajero

14



Honda

CRV/HRV

W/H AP800 Part no:
190-5000510

15



Honda
Jazz

16



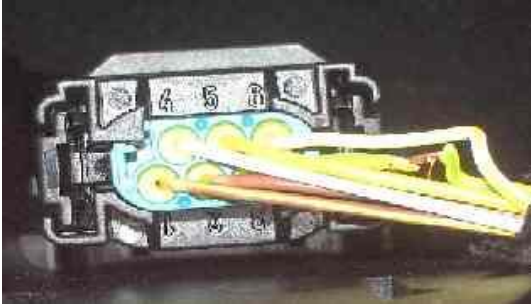
Citroen, Peugeot

17



Civic 2006>
CRV 2007>

18



BMW 118
Mercedes A + B
Mini
SsangYong Rexton 230

19



PT Cruiser 2000-2006

20



Fiat Panda
Fiat 500
Lancia Ypsilon

21



Mercedes

C-class
Sprinter
Vaneo
Viano
Vito

VW

Crafter

22



Ford:

C-Max
Focus 2004>
Galaxy 2006>
Mondeo 2007>
S-Max 2006>
Transit 2006>
Transit Connect 2007>

Volvo

C30
S40
V50
C70
V70
S80

Mazda

3

LandRover

Freelander 2

23



Ford

Ranger

Mazda

BT-50

24



Chrysler

Voyager CRD

Dodge

Ram Van

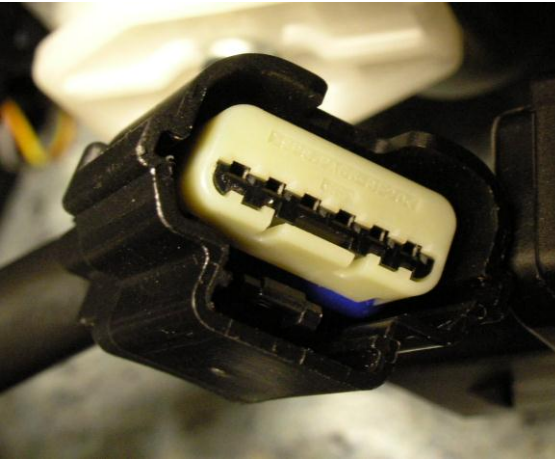
Isuzu

D-Max

Chevrolet

Colorado / D-Max

25



Chrysler

Grand Voyager

Dodge

Nitro

Ford

Focus USA

Focus 2011-

C-Max 2011- / Grand C-Max

Mazda

3, 6

Chevrolet

Spark

Jeep

Wrangler

26



Fiat

Scudo

Peugeot

Citroen

27



Honda
Jazz
Fit
Insight

28



Toyota
Verso-S

Subaru
Trezia

29



Ford
Edge
Flex
Fusion (USA)
Transit 125T 350 (EU)
F150
F350

Range Rover